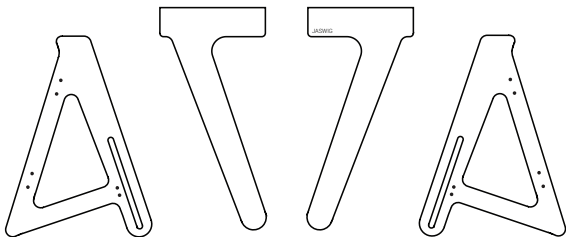


# INSTRUCTION MANUAL



[www.jaswig.com](http://www.jaswig.com)

A(x15)



B(x15)



C(x4)



D(x2)



E(x4)



F(x4)



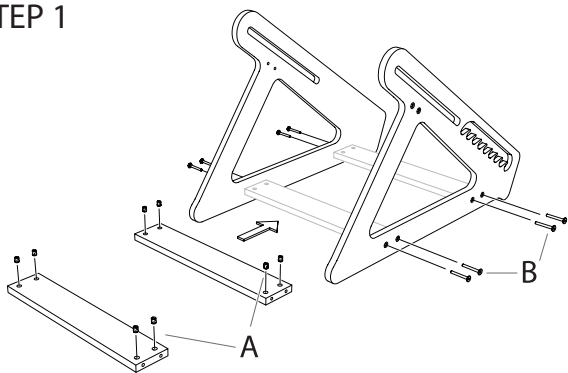
G(x4)



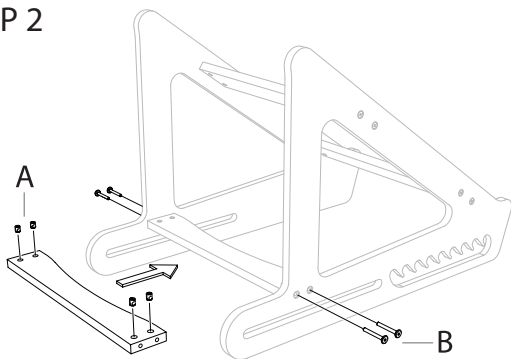
H(x2)



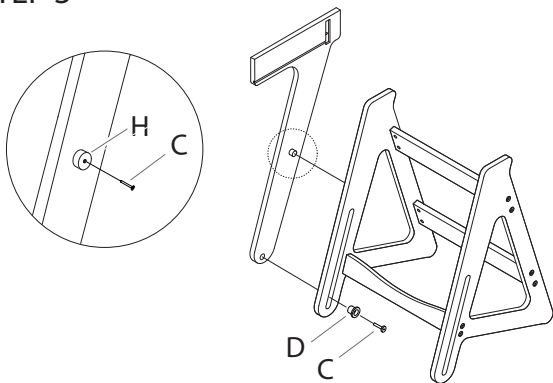
## STEP 1



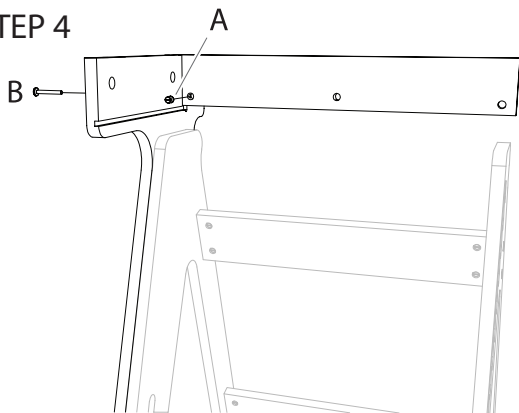
## STEP 2



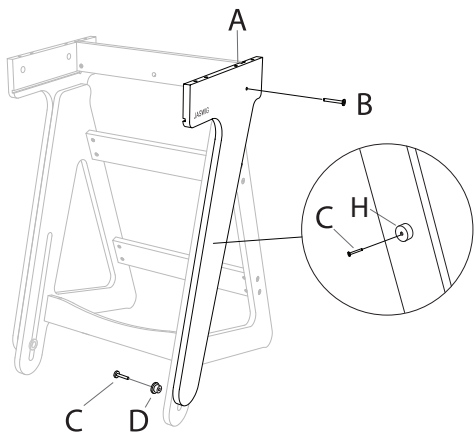
### STEP 3



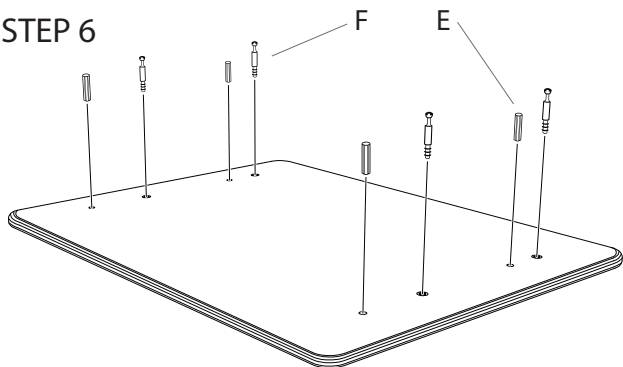
### STEP 4



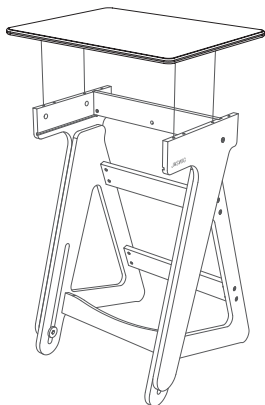
# STEP 5



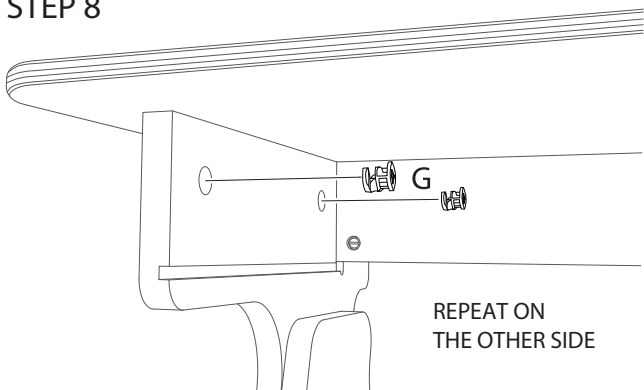
# STEP 6



## STEP 7



## STEP 8



## STEP 9

